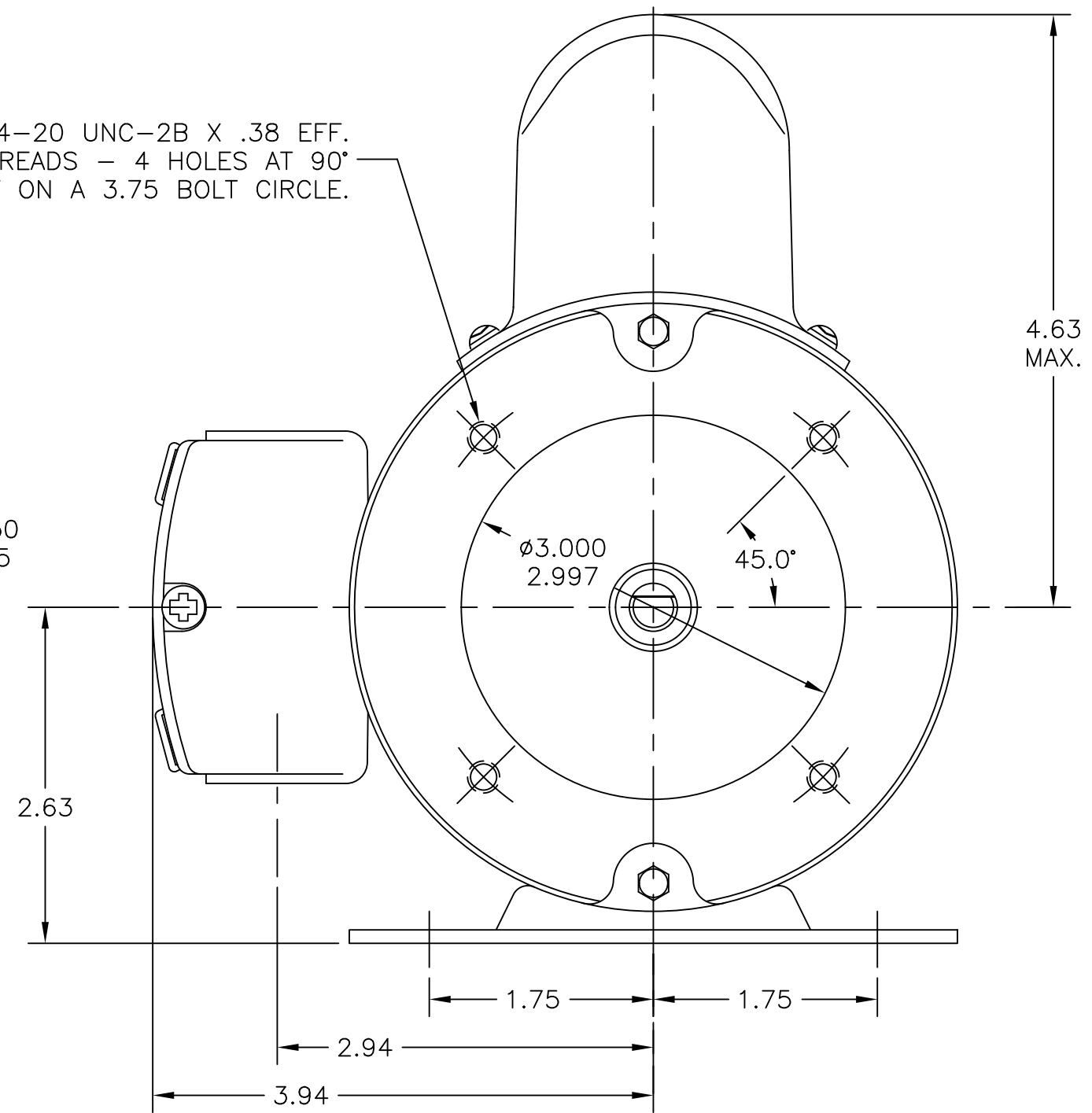


1/4-20 UNC-2B X .38 EFF. THREADS - 4 HOLES AT 90° APART ON A 3.75 BOLT CIRCLE.



ø.88 LEAD EGRESS

FRAME	'C'	'AG'	'AD'
4212	8.00	6.69	2.19
4216	8.00	6.69	2.19
4220	9.13	7.82	3.31
4225	9.13	7.82	3.31