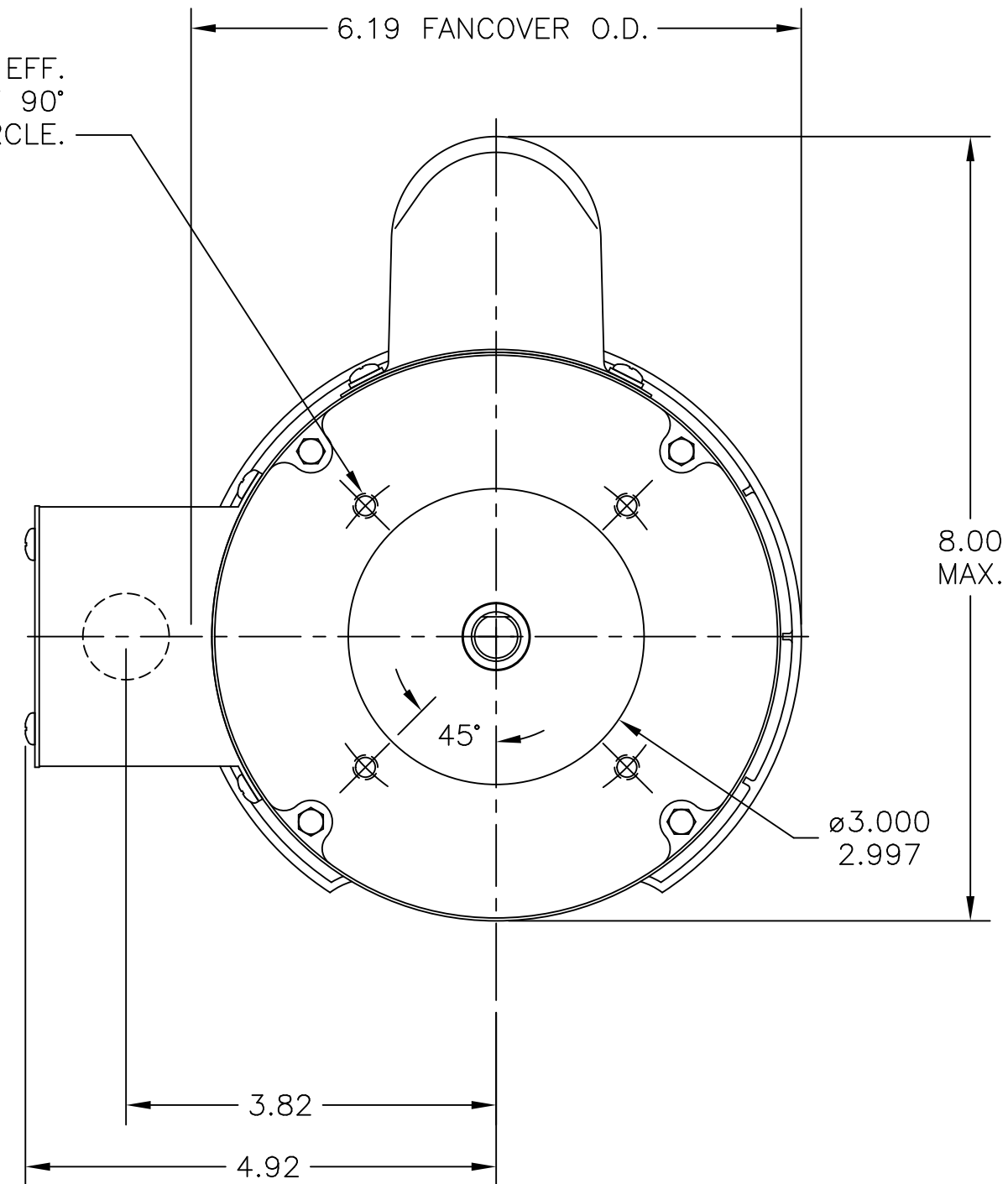


1/4-20 UNC-2B X .38 EFF. THREADS - 4 HOLES AT 90° APART ON A 3.75 BOLT CIRCLE.



FRAME	'C'	'AG'	'BV'
4812	9.69	8.00	5.25
4816	9.69	8.00	5.25
4820	11.19	9.50	6.75
4828	11.19	9.50	6.75

ø.88 LEAD EGRESS