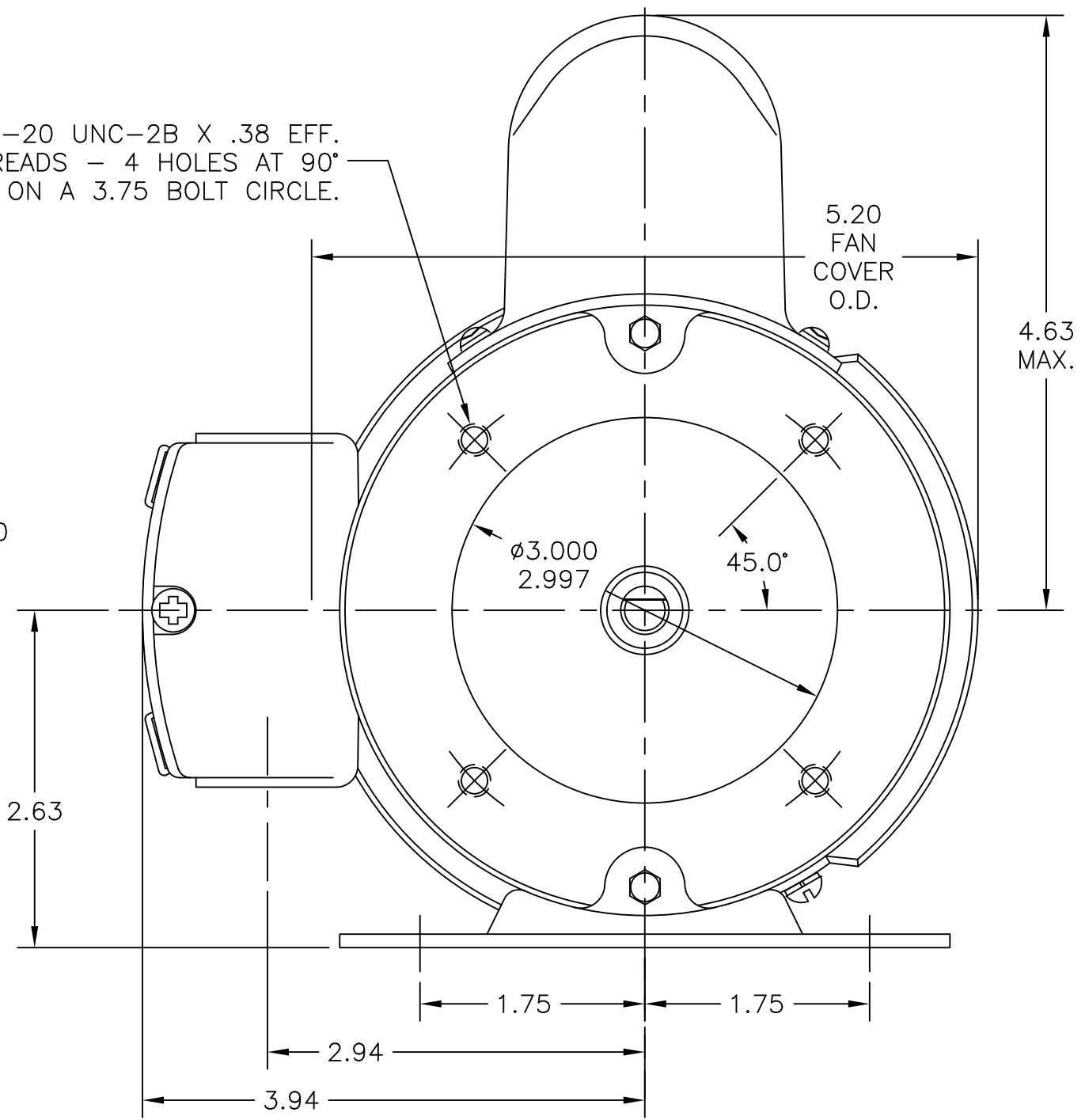


1/4-20 UNC-2B X .38 EFF.
 THREADS - 4 HOLES AT 90°
 APART ON A 3.75 BOLT CIRCLE.



∅.88 LEAD EGRESS

FRAME	'C'	'AG'	'AD'
4212	8.59	7.28	2.19
4216	8.59	7.28	2.19
4220	9.72	8.41	3.31
4225	9.72	8.41	3.31