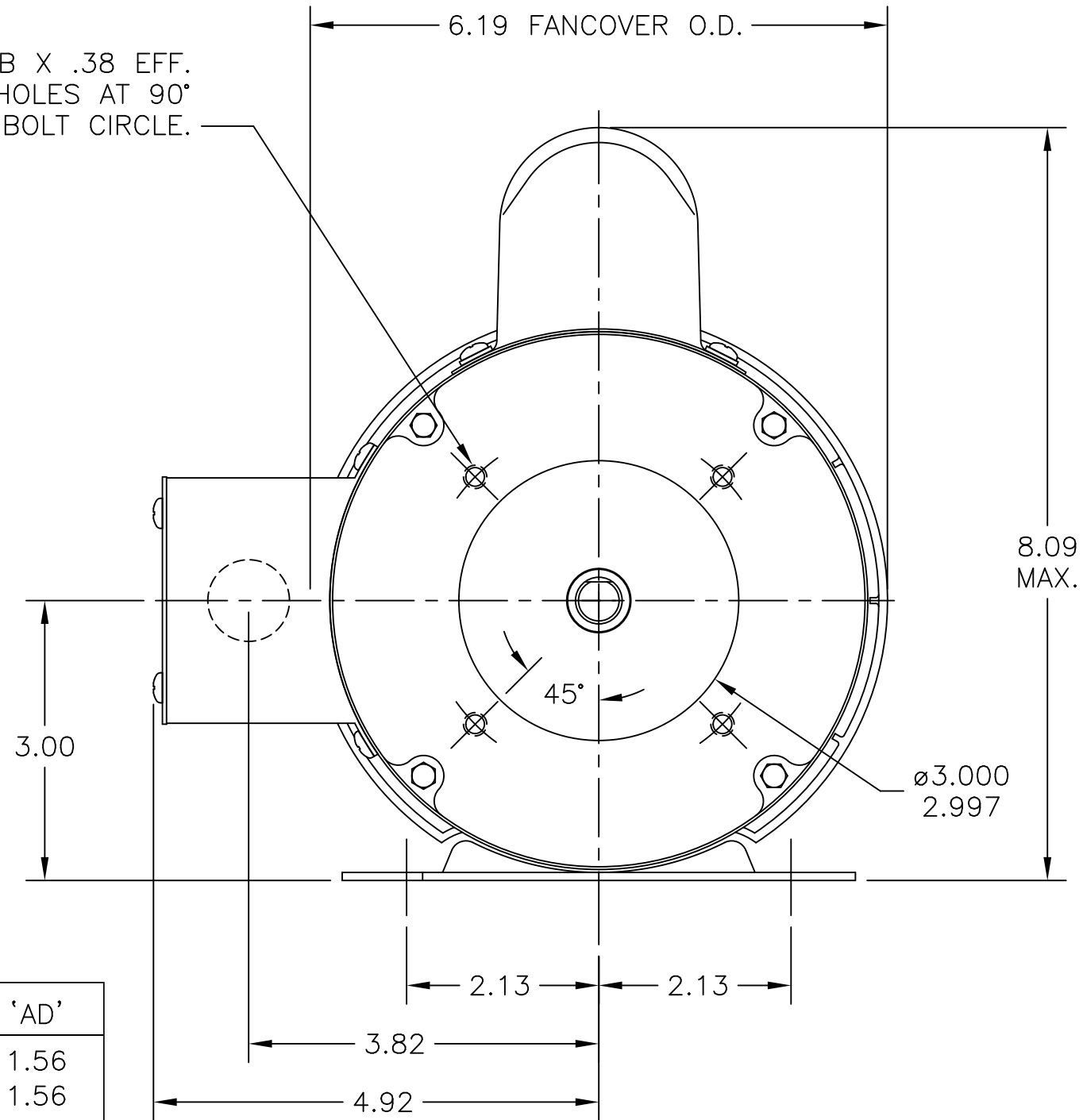


1/4-20 UNC-2B X .38 EFF.
 THREADS - 4 HOLES AT 90°
 APART ON A 3.75 BOLT CIRCLE.



MAC MOTOR CORPORATION
 Washington, MD USA

SPEC _____
 H.P. _____ HZ _____
 TYPE _____
 VOLTS _____
 AMPS _____
 RPM _____
 FR. _____ PH _____
 CLASS _____ AMB _____ °C _____
 RISE _____ °C _____ DUTY _____

FRAME	'C'	'AG'	'AD'
4812	9.69	8.00	1.56
4816	9.69	8.00	1.56
4820	11.19	9.50	3.06
4828	11.19	9.50	3.06

1.00 EFF. FLAT

.453 ±.003

ø.5000
 .4995

ø3.000
 2.997

ø.88 LEAD EGRESS

.34 WIDE SLOT

'OMIT FOR 3 PHASE'

'AD'

'C'

'AG'

5.75 MOTOR O.D.

6.19 FANCOVER O.D.

8.09 MAX.

45°

3.00

2.13

2.13

3.82

4.92

.13

.06

1.69

2.75

2.50